



# PAGLIGHT C6

## A Broadcast Quality 6V Camcorder Lighting Kit

**PAG has miniaturised its professional camera top-light and produced an ultra-compact 6V light designed specifically for use with smaller DV camcorders.**

### **Broadcast Quality**

PAG Ltd. has been designing and manufacturing high quality equipment for the film and television industries for over 35 years. PAG products have broken technical boundaries and set standards, worldwide.

The limited choice of high-quality, on-board camera lighting for new mini DV camcorders prompted PAG to develop a miniaturised version of its professional Paglight - the camera top-light that can be seen in action on TV news bulletins almost every night.

This new miniaturised broadcast-quality camera light incorporates many features of the professional Paglight, including a focusable beam angle, and a patented system that makes lamp-changing quick and easy. Designed to complement available light as a 'fill' or 'front light', the Paglight C6 will enhance your image.

### **Cool Running**

The Paglight C6 is constructed from a glass-reinforced engineering polymer that provides impact-resistance and temperature stability. The combination of this modern material and the patented heat dissipation system ensures the Paglight C6 is cool-running, and comfortable to handle.

### **Fully Focusable**

The lamphead is fully-focusable, with a smooth transition from spot to flood. The ability to change the beam angle allows you to compensate for light loss over distance within the same frame size.



### **PAG's Unique Plug-in Lampholder System**

The Paglight C6 features a patented plug-in lamp holder system that makes fitting a lamp quick and easy. The Paglight C6 is supplied with a plug-in lampholder and a 20W 6V, G4-size tungsten halogen lamp. 10W and 30W lamps are also available. Additional lampholders enable change between lamps of varying wattages, quickly and easily, without directly handling the lamp. When not in use, lampholders should be stored in their high-strength, heat-resistant polymer lamp protector.

### **Professional Features**

The Paglight C6 has many features of PAG's broadcast camera light. The rotatable accessory ring that fits on the front of the light accommodates a range of snap-in accessories: a frosted diffuser, a dichroic filter and barndoors.

When filming in subdued light conditions, or poor daylight, it is all too easy to over-light your subject. In order to avoid this you can use the diffuser to soften the light. You can also use it to soften the harsh shadows caused by a bright light source, such

as direct sunlight. The spot-and-flood facility helps give you further fine control over soft light intensity.

When supplementing daylight with your Paglight C6, the colour temperature must be corrected to match daylight. You can do this by using the dichroic filter to raise the colour temperature of the light output from 3200°K (halogen) to 5600°K (daylight). Colour temperature is a measurement of the colour of light, not the brightness, regardless of lamp wattage.

The snap-in accessories also include a pair of barn doors, to flag off unwanted light. They double as protectors for the filters when the light is not in use.

### Perfect Positioning

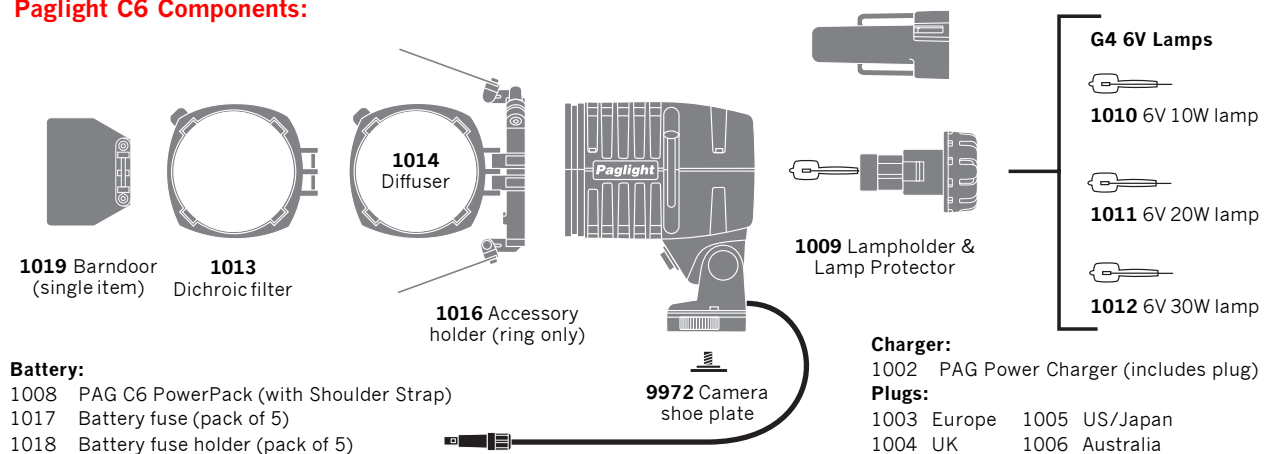
The support base of the lamphead is a multi-directional mounting which allows the light to be adjusted vertically and horizontally. The pivot points are friction-adjustable to maintain the desired position in all situations of use.

The Paglight C6 Kit is supplied with a square shoe plate, allowing the unit to be mounted to cam-corders with an accessory shoe. The Paglight C6 base incorporates a ¼" Whitworth bush. This enables it to be used with other PAG mounting options, such as a ¼" Whitworth stud, a handle for hand-held operation and a camera clamp for mounting to non-standard fittings (see 'Accessories').



The C6 Kit includes a 6V 7Ah battery and charger.

### Paglight C6 Components:



The Paglight C6 base is fitted with a flying lead terminated with a professional-quality connector, incorporating gold-plated contacts, for a reliable connection to your C6 PowerPack.

### All Inclusive Lighting Kit

Paglight C6 is powered from its own 6V 7Ah Ni-Cd PowerPack. This rechargeable battery, weighing little more than 1kg, is supplied with a detachable shoulder strap. A belt clip that enables the battery to be worn on your trouser belt, is available separately. When fully charged the battery will provide two and a quarter hours of continuous run-time with a 20W lamp. An additional battery will enable you to shoot for a whole day.

A wall-plug mains charger is supplied, that will charge the battery in three to four hours, from fully discharged. It will automatically recover the battery prior to fast-charging, if it has been deeply discharged. The charger also provides a main-tenance top-up charge after full charge. These automatic functions are indicated by a single LED. The charger has an interchangeable power plug.

### Paglight C6 Lighting Kit, Model No. 1001

The kit includes the following:

- ▶ Paglight C6
- ▶ Plug-in Lampholder and 20W lamp
- ▶ Accessory ring, daylight filter, diffuser & barn doors
- ▶ Camera Shoe Plate
- ▶ PAG C6 PowerPack with shoulder strap
- ▶ PAG Power Charger with plug

### Components

Additional C6 batteries, bulbs and individual Paglight C6 components can be purchased separately on-line at [www.paguk.com/C6](http://www.paguk.com/C6). Alternatively contact PAG Ltd. for full details, including prices, by telephoning **0845 456 0060**.